



masterkabin[®]
we can accommodate you

Typical Masterkabin Unit Size's.

The following is a selection of “standard” sized Masterkabin units.

These plan drawings should give you an idea of what size unit you may require depending on the amount of people you need to accommodate and what facilities you require.

If you require a larger building than the ones shown here, then you are looking at a modular building and it is time to talk to Colette or Anthony from our sales team.

Call or email them on:

T: 021 4775555

E: sales@masterkabin.ie

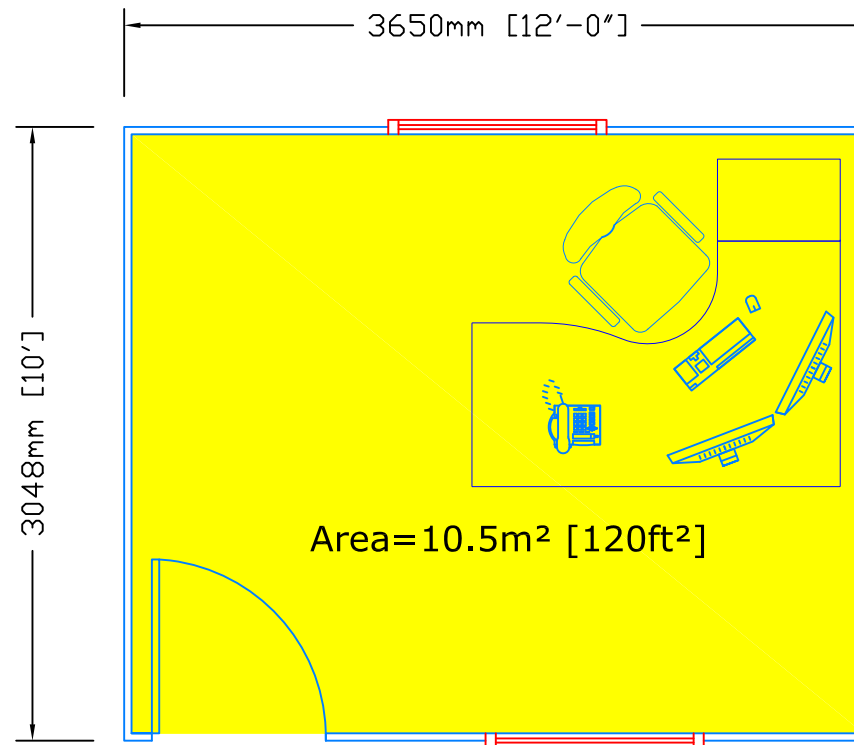
Note: Each unit shown is configured for illustrative purposes only, and can be manufactured to any particular size, layout and specification that is required.



The Modular & Portable Building Association

t. 021 4775555
f. 021 4775562
e. sales@masterkabin.ie
www.masterkabin.ie

Killountain, Innishannon, Co. Cork



The "12 by 10" unit.
 A staple jackleg unit, always popular due to its tidy size, and good value for money.
Ideal for 1 person.

*Layout shown for illustration purposes only.
 Actual units can be configured to suit any individuals requirements.*



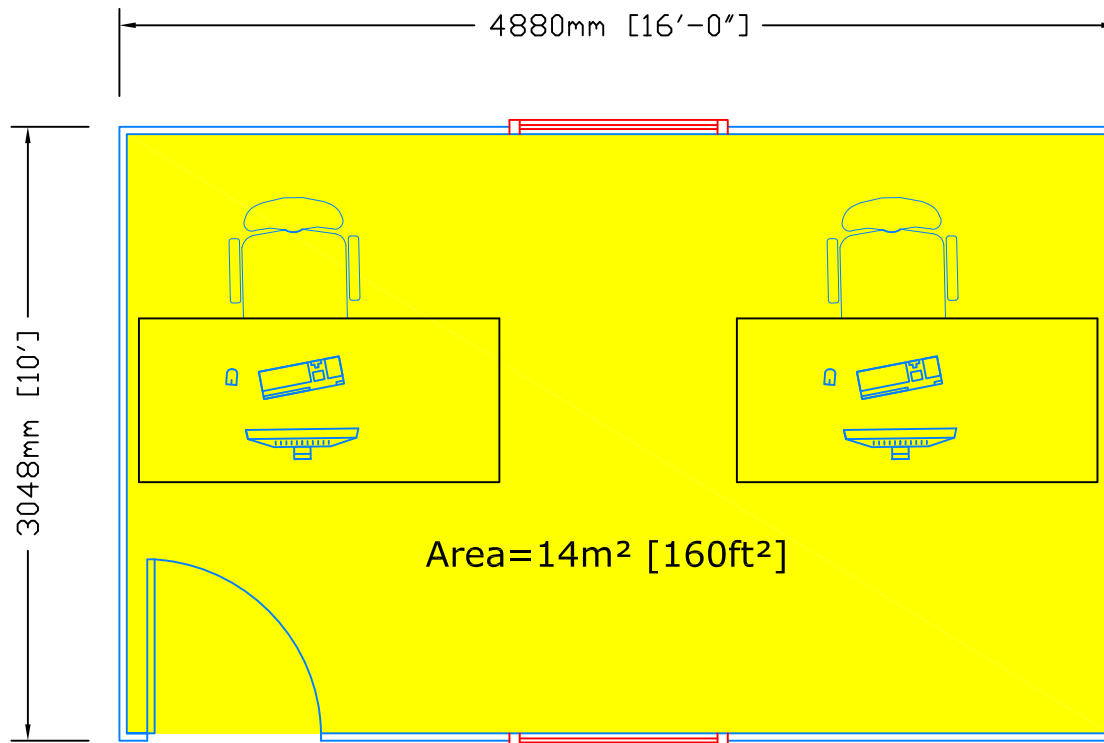
t. 021 4775555
 f. 021 4775562
 e. sales@masterkabin.ie
 www.masterkabin.ie
 Killountain, Innishannon, Co. Cork.

PROJECT: 12ft x 10ft, (3.6m x 3m).

CLIENT: Masterkabin.

DRAWING TITLE: Proposed plan.

DATE:	DRAWING NO:	SCALE:	DRAWN BY:
-	-	-	RS.




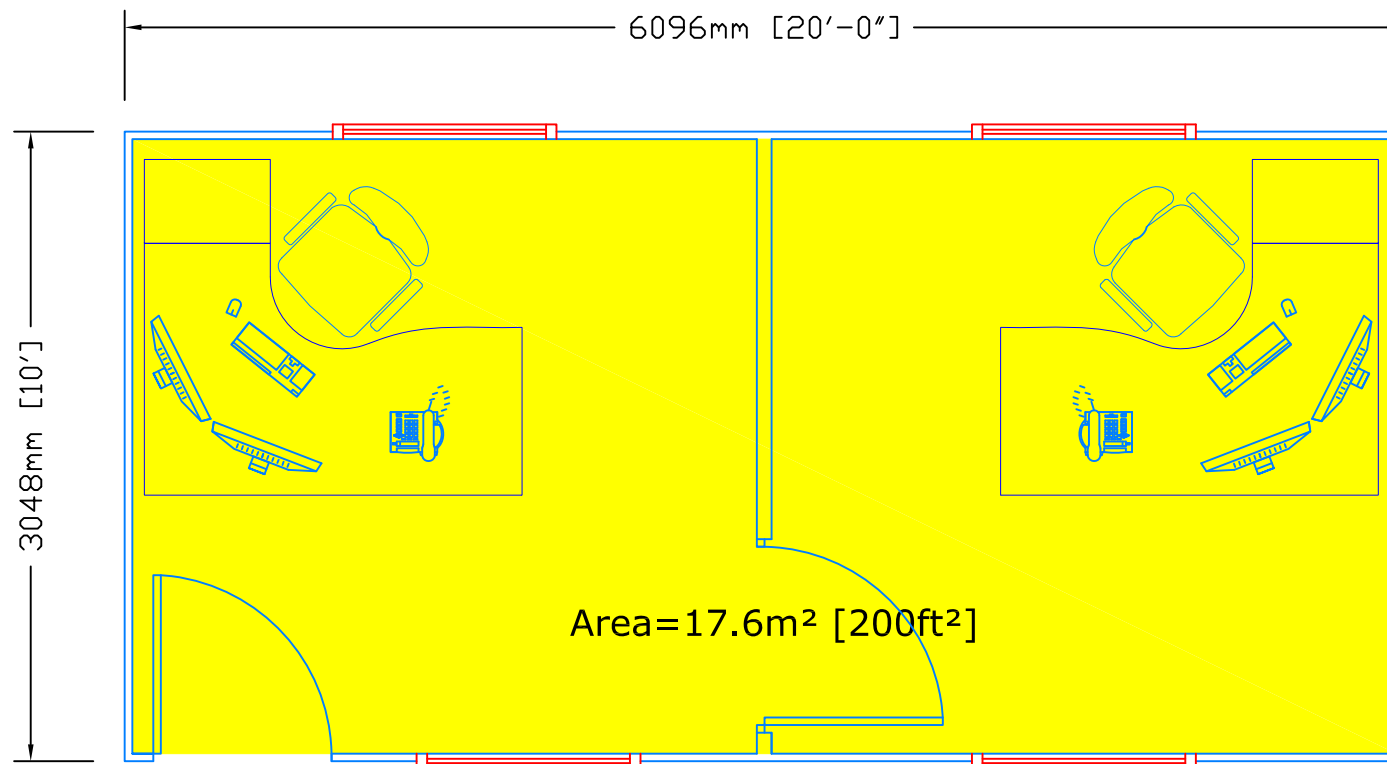
The "16 by 10" unit.

Another popular size jackleg unit, offering similar portability as the 12 by 10, but with a little extra room, for a second person, or perhaps a toilet/store room.

Suitable for 1-2 persons.

*Layout shown for illustration purposes only.
Actual units can be configured to suit any individuals requirements.*

	t. 021 4775555 f. 021 4775562 e. sales@masterkabin.ie www.masterkabin.ie Killountain, Innishannon, Co. Cork.	PROJECT: 16ft x 10ft, (4.8m x 3m).	CLIENT: Masterkabin.			
		DRAWING TITLE: Proposed plan.	DATE: -	DRAWING NO: -	SCALE: -	DRAWN BY: RS.



The "20 by 10" unit.

A larger jackleg unit, offering a more comfortable size for 2 people and large enough to divide internally if required.

Suitable for 2 persons.

*Layout shown for illustration purposes only.
Actual units can be configured to suit any individuals requirements.*



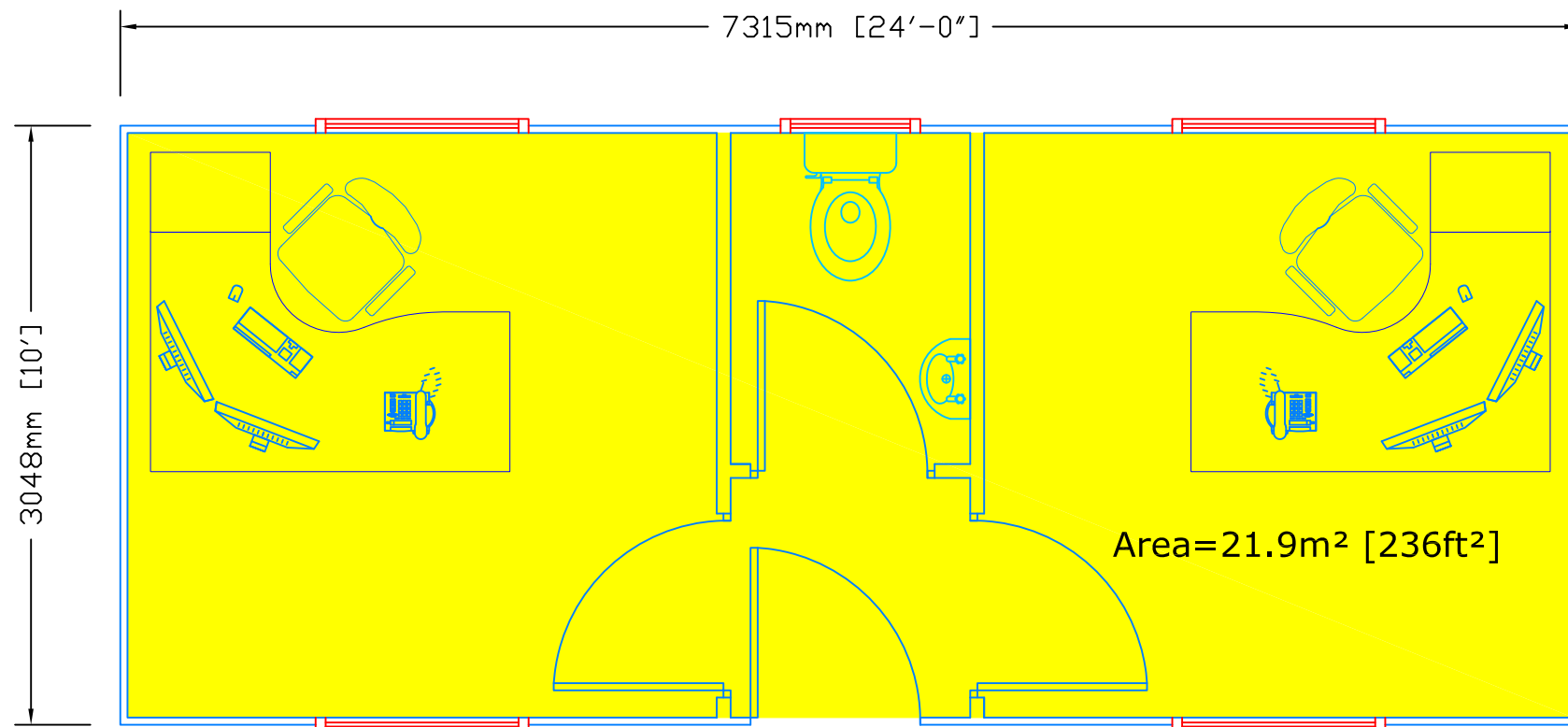
t. 021 4775555
 f. 021 4775562
 e. sales@masterkabin.ie
 www.masterkabin.ie
 Killountain, Innishannon, Co. Cork.

PROJECT: 20ft x 10ft, (6m x 3m).

CLIENT: Masterkabin.

DRAWING TITLE: Proposed plan.

DATE:	DRAWING NO:	SCALE:	DRAWN BY:
-	-	-	RS.



The "24 by 10" unit.

A larger jackleg unit, offering a more comfortable size for 2 or even 3 people and large enough to further divide internally if required.

Suitable for 2-4 persons.

*Layout shown for illustration purposes only.
Actual units can be configured to suit any individuals requirements.*



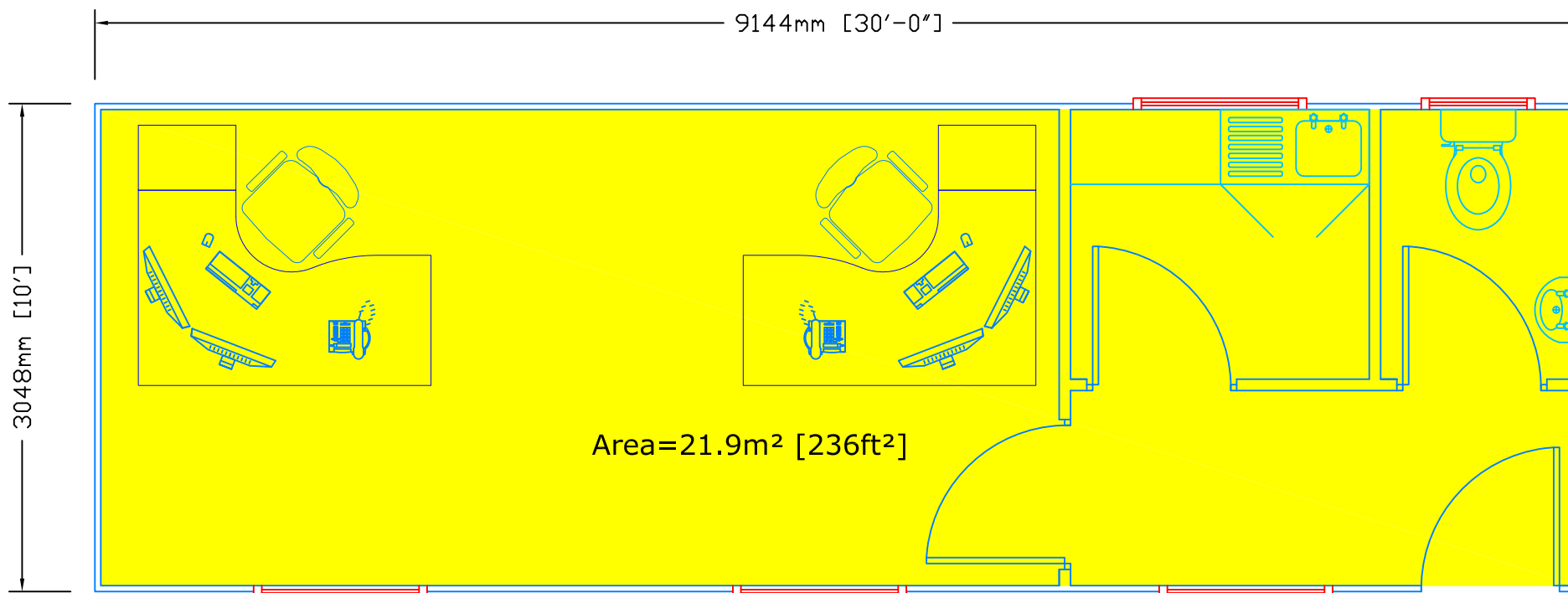
t. 021 4775555
f. 021 4775562
e. sales@masterkabin.ie
www.masterkabin.ie
Killountain, Innishannon, Co. Cork.

PROJECT: 24ft x 10ft, (7.2m x 3m).

CLIENT: Masterkabin.

DRAWING TITLE: Proposed plan.

DATE:	DRAWING NO:	SCALE:	DRAWN BY:
-	-	-	RS.



The "30 by 10" unit.

Is a fairly long unit, which requires more space on site. However the extra length offers great scope for adding toilets, kitchenettes etc. to the layout if required.

Suitable for 2-8 persons.

*Layout shown for illustration purposes only.
Actual units can be configured to suit any individuals requirements.*



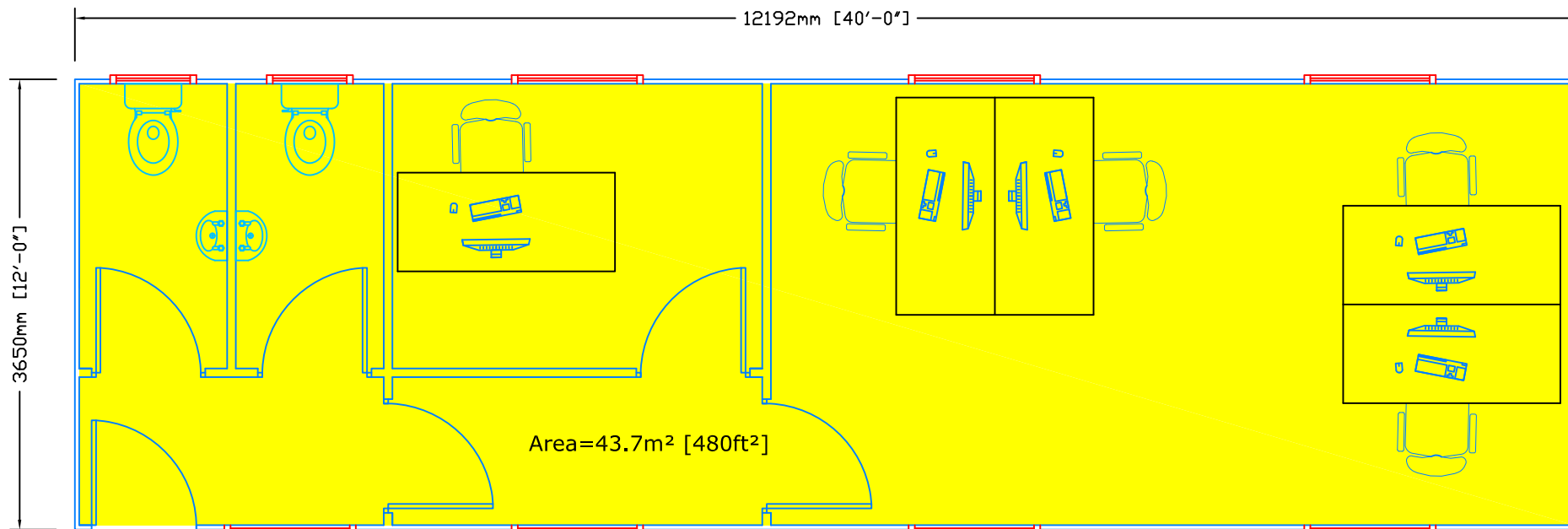
t. 021 4775555
f. 021 4775562
e. sales@masterkabin.ie
www.masterkabin.ie
Killountain, Innishannon, Co. Cork.

PROJECT: 30ft x 10ft, (9m x 3m).

CLIENT: Masterkabin.

DRAWING TITLE: Proposed plan.

DATE:	DRAWING NO:	SCALE:	DRAWN BY:
-	-	-	RS.



The "40 by 12" unit.

The largest standard jackleg unit. Requires more planning for delivery, crange, wide load permits etc. but offers an unrivaled amount of floor area in a self contained and ready to occupy unit. The additional 2ft in the width brings an enormous sense of space.

Suitable for 4-20 persons.

*Layout shown for illustration purposes only.
Actual units can be configured to suit any individuals requirements.*



t. 021 4775555
f. 021 4775562
e. sales@masterkabin.ie
www. masterkabin.ie
Killountain, Innishannon, Co. Cork.

PROJECT: 40ft x 12ft, (12.2m x 3.6m).

CLIENT: Masterkabin.

DRAWING TITLE: Proposed plan.

DATE:	DRAWING NO:	SCALE:	DRAWN BY:
-	-	-	RS.